

**AXOR Universal Softsquare
Soap Dispenser with Shelf**
Finishes : Part no. : **42819820**



Features

- Material container: Glass
- Type of soap: liquid soap
- 6 oz. capacity
- With mounting material

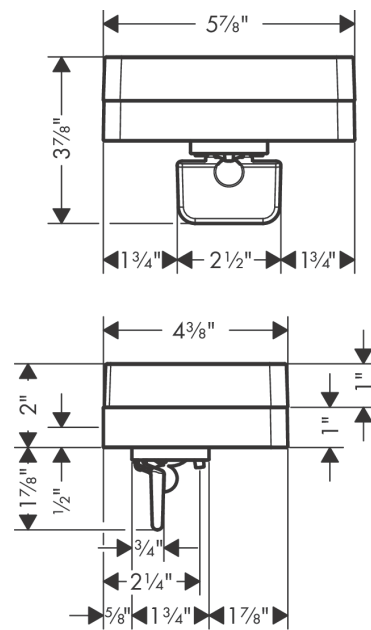
Item details

List Price \$ 592.00

Product image



Scale drawing

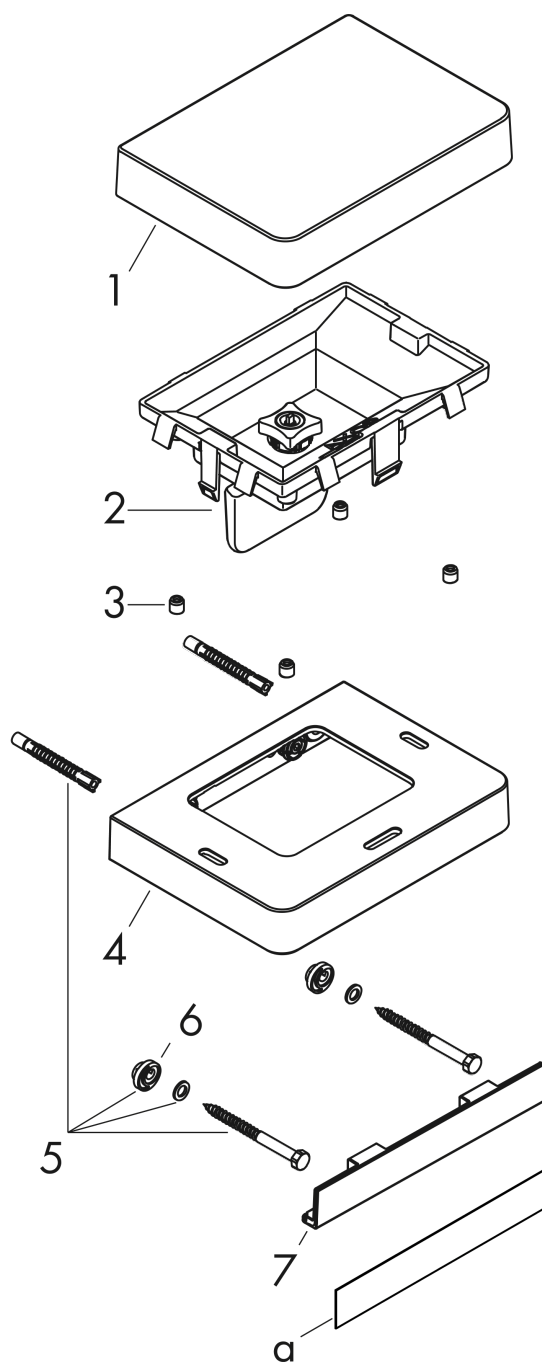


**AXOR Universal Softsquare
Soap Dispenser with Shelf**
Finishes : Part no. : 42819820



Exploded drawing

Year of production: >01/16



**AXOR Universal Softsquare
Soap Dispenser with Shelf**
Finishes : Part no. : **42819820**



Spare parts list

Year of production: >01/16

Pos.		Part no.	Price	PU
1	cover	92428000	-	1
2	pump	93321820	-	1
3	screw cover	96762000	-	1
4	support element	92425820	-	1
5	mounting set	92841000	-	1
6	excentric socket	97604000	-	1
7	cover	92427820	-	1
a	set of adapters	42870000	-	1
b	mounting kit for two-sided glass montage	42841000	-	1